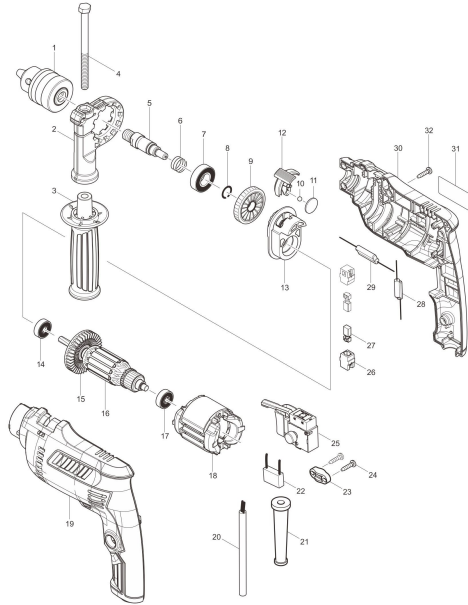


Polymak



PM101D 10MM IMPACT DRILL
 Max. drilling capacity: 10mm
 No load speed: 0-2900r/min
 Power: 500W
 Net weight: 1.6KG



www.polymak.co.in

Polymak

PM101D SPARE PARTS LIST

No	Name Of Parts	Pcs	Seri No	INR
1	Check S10	1		
2	Handle A	1		
3	Handle B	1		
4	Screw M8X110	1		
5	Spindle	1		
6	Spring	1		
7	Bearing 6002LLB	1		
8	Spring	1		
9	Impact Gear	1		
10	Ball	1		
11	Washer	1		
12		1		
13	Gearing Housing	1		
14	Bearing 608DDW	1		
15		1		
16	Armature	1		
		0		
17	Bearing 627DD	1		
18	WFeil Coile	1		
19	Left Housing	1		
19	Rubber Parts	2		
		0		
20	Cable	1		
21	Cable protect	1		
22		1		
23	Cable Guard	1		
24	Screw 4X18	2		
25	Switch	1		
26	Brush Houdle	2		
27	Carbon Brush	1		
28		1		
29		1		
30	Right Housing	1		
30	Rubber Parts	2		
32	Screw 4X18	7		
A01	Pin S13	1		