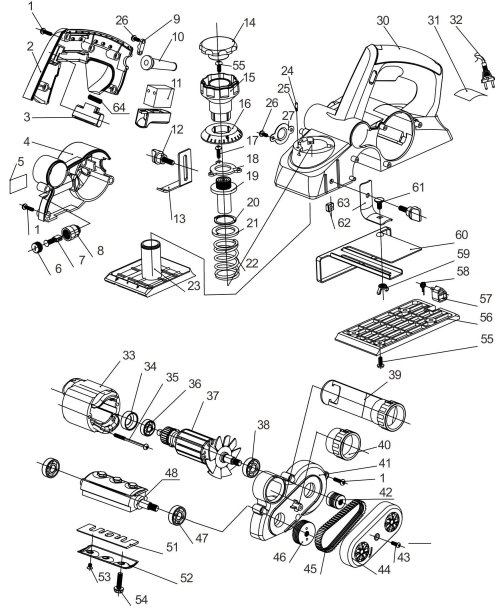


PM82EP710 ELECTRIC PLANER

Planing capacity:	82mm
Cutting depth:	2mm
No load speed:	16000r/min
Power:	710W
Net weight:	3.15KG



PM82EP710 SPARE PARTS LIST

No	Parts Name	Pcs	Seri No	INR	No	Parts Name	Pcs	Seri No	INR
1	Self-tapping Screw	13			38	Bearing 6000	1		
2	Righe Handle	1			39	Splash Guard(r)	1		
3	Switch Auto-lock	1			40	Splash Guard(l)	1		
4	Housing Side Cover(r)	1			41	Side Cover	1		
5	Logo Sticker	1			42	Pulley(s.)	1		
6	Brush Cap	2			43	Screw M4x12	1		
7	Carbon Brush	2			44	Belt Cover	1		
8	Brush Holder	2			45	Belt	1		
9	Cord Clamp	1			46	Pulley(b.)	1		
10	Cord Guard	1			47	Bearing 6000	2		
11	Switch	1			48	Arbor	1		
12	Tight Screw	2			49	/	/		
13	Cutting Depth Indicator	1			50	/	/		
14	Adjust Button Cap	1			51	Blade	2		
15	Adjust Button	1			52	Screw M4x4	2		
16	Knob Dial	1			53	Blade Cover	4		
17	Self-tapping Screw	3			54	Screw M6x22	6		
18	Washer	1			55	Screw ST4.8-12	4		
19	Nuts	1			56	Back Base Plate	1		
20	Retainer Ring	1			57	Safety Button	1		
21	Washer	1			58	Safety B.spring	1		
22	Spring	1			59	M6 Conicri Nut	1		
23	Front Base Plate	1			60	Guide Ruler	1		
24	Steel Ball&holder	1			61	M6 Bolt	1		
25	Spring	1			62	M6 Nut	2		
26	Self-tapping Screw	2			63	Guide Ruler Holder	1		
27	Bearing Platen	1							
28	/	/							
29	/	/							
30	Motor Housing	1							
31	Label Sticker	1							
32	Power Cord	1							
33	Stator	1							
34	Bearing Ring	1							
35	Stator Screw	2							
36	Bearing 608	1							
37	Armature	1							