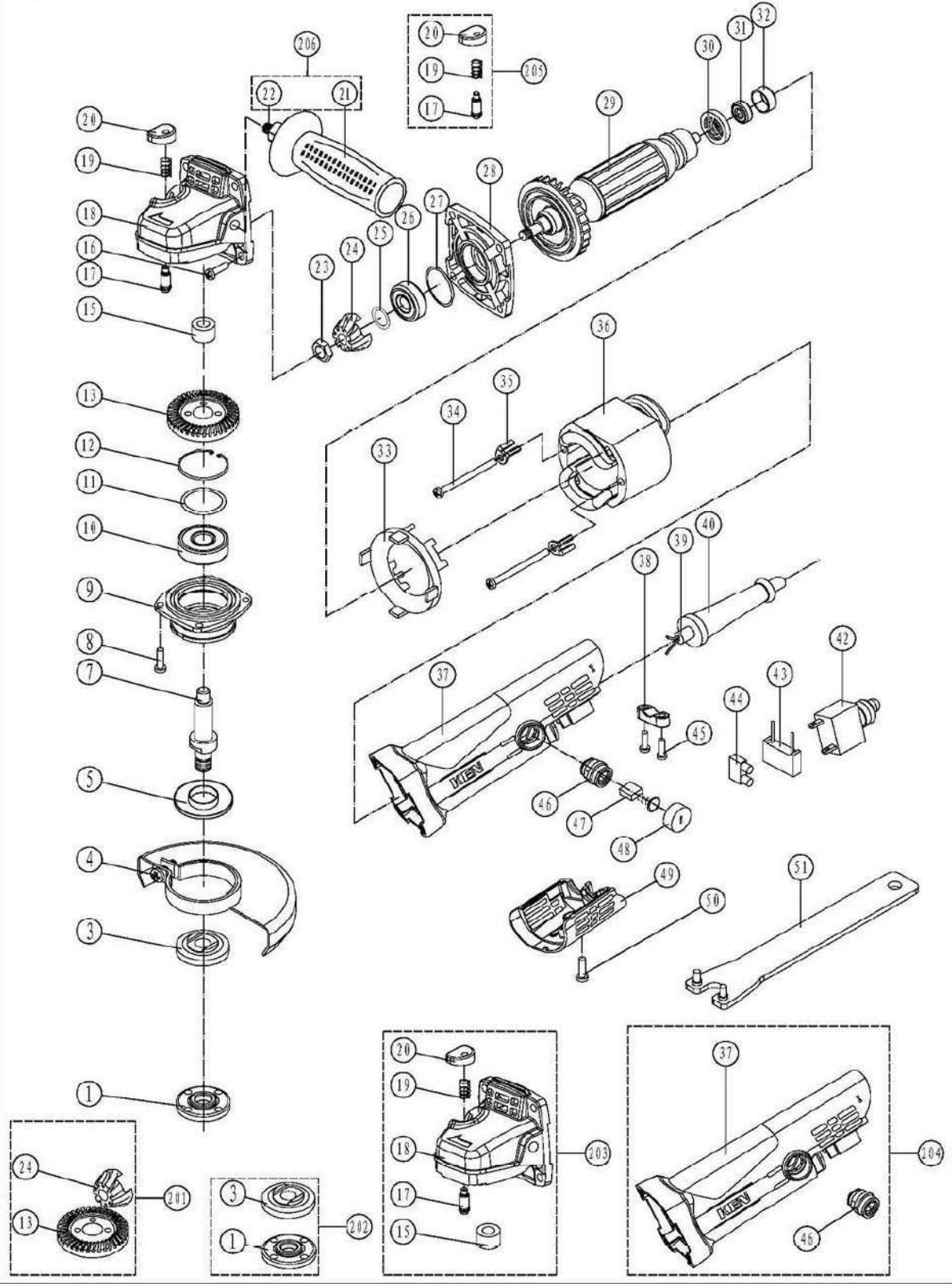




9913B



9913B 100mm Angle Grinder

Position No	Part No	Description
1	1390361	Outer Flange
3	1390312	Inner Flange
4	112119	Safety Guard
5	115003	Dust Protector
7	133208	Spindle
8	231156	Screw Assy.
9	161007E	Flange
10	211068	Bearing
11	243005	Wave Washer
12	251005	Retainer Ring
15	212073	Needle Bearing
16	221024	Tapping Screw
18	162043C	Gearbox
21	627003	Auxiliary Handle
22	234015	Hex Bolt
23	261039	Nut
25	171005	Washer
26	211028	Bearing
27	333002	O Ring
28	163004F	Medial Flange
29	4420071	Armature
30	319014	Plastic Ring
31	211005	Bearing
32	331006	Bearing Sleeve
33	321041	Wind Deflector
34	221021	Screw
35	110035	Coil Tablet
36	441053	Coil
37	313037	Motor Shell
38	318009	Cord Clamp
39	411015	Power Cord
40	332006	Cable Sleeve
42	445003C	Switch
43	443007	Capacitor
44	437001	Connector
45	222002	Tapping Screw
46	432004	Brush Holder
47	431022A	Carbon Brush Assy.
48	433014	Brush Cap
49	315020	Rear Cover
50	222003	Tapping Screw
51	623083	Wrench
201	713775B	Gear Assy.
205	719040	Self lock pin Assy